

HEADQUARTERS

ITALY

FAAC spa
Via Calari 10 - 40069 Zola Predosa (BO)
Tel. +39 051 61724 - Fax +39 051 758518
info@faac.it - www.faac.it

AUSTRALIA

FAAC AUSTRALIA PTY LTD
Homebush – Sydney, Australia
tel. +61 2 87565644
fax +61 2 87565677
www.faac.com.au

AUSTRIA

FAAC GE.S. M.B.H.
Wals – Siezenheim, Austria
tel. +43 662 8533950
fax +43 662 85339520
www.faac.at

BENELUX

FAAC BENELUX
Brugge, Belgium
tel. +32 50 320202
fax +32 50 320242
www.faacbenelux.com

CHINA

FAAC SHANGHAI
Shanghai, Cina
tel. +86 21 68182970
fax +86 21 68182968
www.faac.com.cn

SPAIN

F.A.A.C. SA
Madrid, España
tel. +34 91 6613112
fax +34 91 6610050
www.faac.es

F.A.A.C. SA Delegación Cataluña
Barcelona, España
tel. +34 93 4362000
fax +34 93 4368225
www.faac.es

FRANCE

FAAC FRANCE
Corbas, France
tel. +33 4 72218700
fax +33 4 72218701
www.faac.fr

FAAC NORD S.A.S.
Massy, France
tel. +33 1 69191620
fax +33 1 69191621
www.faac.fr

GERMANY

FAAC GMBH
Freilassing, Germany
tel. +49 8654 49810
fax +49 8654 498125
www.faac.de

INDIA

FAAC INDIA PVT. LTD
Noida – Delhi, India
tel. +91 120 3934100/4199
fax +91 120 4212132
www.faacindia.com

MIDDLE EAST

FAAC MIDDLE EAST BRANCH
Dubai Airport Free Zone, UAE
tel. +971 42146733
fax +971 42146734
www.faac.ae

POLAND

FAAC POLSKA SPZO. O
Warszawa, Polska
tel. +48 22 8141125
fax +48 22 8142024
www.faac.pl

SCANDINAVIA

FAAC SCANDINAVIA AB
Bankeryd, Sweden
tel. +46 36 376860
fax +46 36 370780
www.faac.se

SWITZERLAND

FAAC AG
Altdorf, Switzerland
tel. +41 41 8713440
fax +41 41 8713484
www.faac.ch

UNITED KINGDOM

FAAC UK LTD.
Basingstoke Hampshire, UK
tel. +44 1256 318100
fax +44 1256 318101
www.faac.co.uk

USA

FAAC INTERNATIONAL INC
Jacksonville, USA
tel. +1 904 448 8952
fax +1 904 448 8958
www.faacusa.com

Fullerton, USA
tel. +1 714 446 9800
fax +1 714 446 9898
www.faacusa.com

Headquarter & East Coast Operations
FAAC International Inc.
5151 Sunbeam Road
Suites 9-11
Jacksonville, Florida 32257
Tel. 866 925 3222 Toll Free
Tel. 904 448 8952
Fax 904 448 8958

West Coast Operations
FAAC International Inc.
357 South Acacia Avenue
Unit 357
Fullerton, California 92831
Tel. 800 221 8278 Toll Free
Tel. 714 446 9800
Fax 714 446 9898



2,000 - 03/2012 The descriptions and illustrations contained in the present brochure are not binding. FAAC reserves the right to undertake product technical modifications without prior notice.



S418

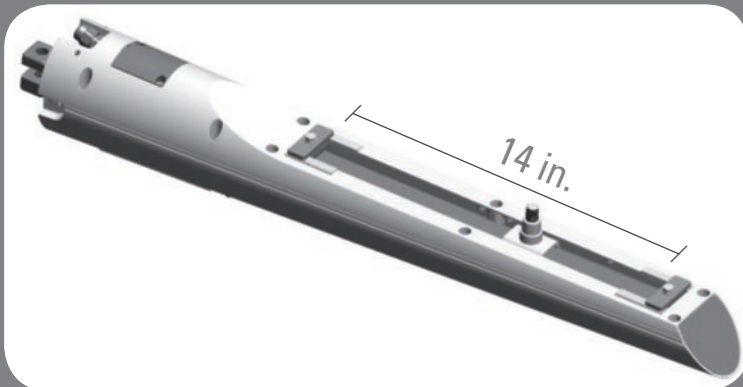
Electro-mechanical 24V operator
for swing-leaf gates

A NEW OPERATOR FOR SWING-LEAF GATES: EASY TO INSTALL AND WITH A UNIQUE DESIGN

- Long stroke + new multi-position attachments with fittings
- For single-leaf up to 12 ft.
- Integrated mechanical stops
- New control board with anti-crushing system and electronic encoder for inversion on obstacles
- Residential use



EASY TO INSTALL:



Increased flexibility in the installation dimensions thanks to the 14 in. (350 mm) long stroke, 16 in. (400 mm) without mechanical stops.



Suits a wide range of installations thanks to the multi-position attachments.



E024U 24V BOARD



FEATURES:

- UL991 safety standard compliant
- Powerful and efficient Switching Power Supply
- Easy programming with trimmers and dip switches
- One pushbutton automatic self learning
- Self resetting fuses
- Stand By mode for efficient power use
- Built in battery backup

SPECIFICATIONS:

AC input ratings:	115V - 60Hz - 2.5A
Stand By Power:	4W
Motor Output Current:	7A each
Accessory Power:	24 Vdc - 500 mA
Operating Temperature:	-4 °F - + 131 °F

AVAILABLE MODEL

Part Number	Description
104301	S418 24V Electromechanical Operator

TECHNICAL SPECIFICATIONS S418

Input Voltage	24 Vdc	Type and frequency of use at 20°C	Residential use
Nominal power	35 W	Operating ambient temperature	-4°F ÷ 131°F (-20°C ÷ +55°C)
Max Thrust Force	405 lbf	Weight	13 lbs. (6 Kg)
Rod stroke	14 in. (350 mm), 16 in. (400 mm) without mechanical stops	Dimensions (L x D x H)	33 x 4 x 5 in. (825 x 104 x 125 mm)
Rod extension speed	0.75 in./sec	Protection class	IP44
Leaf max length	12 ft.	Opening and closing mechanical stops	YES
Leaf max weight	500 lbs.		