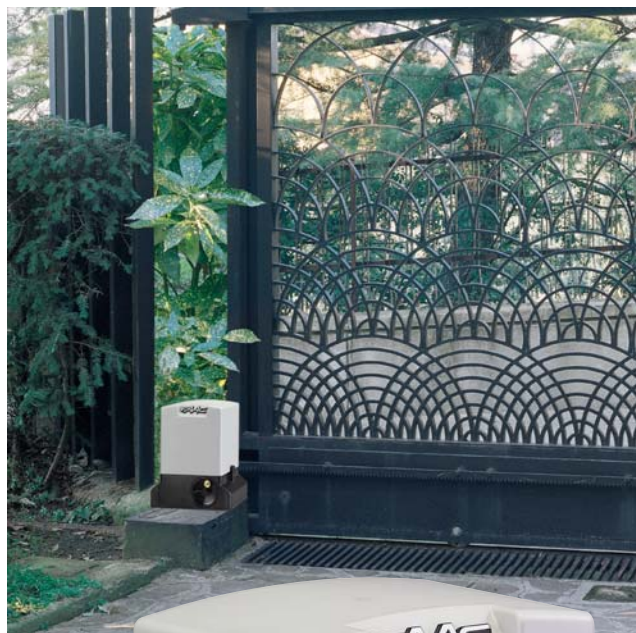


740 - 24 Vdc

for sliding gates with max weight of 400 kg



■ Cover

■ Rotating release device easy to operate and key "protected" (standard)

■ Easy programming: self-learning

To "initialise" the automated system, just carry out the SETUP operation, selecting a suitable dip-switch. The following parameters are automatically self-learned during this operation:

- Opening/closing times
- Pause time
- Traction/thrust force
- Deceleration at end of opening and closing
- Soft Start (starting at gradual speed)

■ Safety: anti-crushing electronic device

Continuously controlled electronic clutch, active at both opening and closing

- Two sensitivity levels
- Movement reversed in case of an obstacle
- Emergency stop function (if clutch operates for two consecutive cycles)

■ Black out: emergency operation

Emergency battery (optional) ensuring operation during a power cut

■ Irreversible

As the gearmotor is non reversing, no electric locks need be installed and, in the event of power failure, the release device (protected by a customised key) makes it possible to open and close the gate manually.



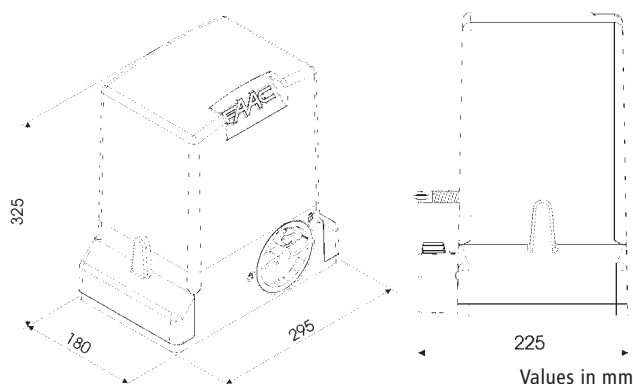
- 1 Protecting housing
- 2 Rotating release device easy to operate and key "protected" (standard)

1

2

FAAC

DIMENSIONS



Values in mm

Technical specifications of 740 - 24 Vdc gearmotor

Power supply	24 Vdc
Power	70 W
Absorbed current	3 A
Electric motor	1.400 rpm
Max torque	13,5 Nm
Traction and thrust force (pinion Z16)	0 - 40 daN
Pinion	Z16 module 4
Gate speed	12 m/min.
Operating ambient temperature	-20°C ÷ +55°C
Weight	10 kg
Limit switch	Encoder
Protection class	IP 44

Emergency battery kit for installation inside the gearmotor (optional)*

Voltage/current	12 V/1,2 Ah
Dimensions	96 x 51 x 47 mm
Nr. of opening/closing operations	15 max

Specifications of 724 D control board (built into gearmotor or in separate container)*

Supply voltage of transformer	230 Vac (+6% -10%) 50 Hz
Supply voltage of control unit	24 Vac (+6% -10%) 50 (60) Hz
Absorbed power	3 W
Motor maximum load	70 W
Accessories max load	24 Vdc 500 mA
Flashing lamp max load	24 Vdc 15 W max
Operating ambient temperature	-20°C ÷ +55°C
Protection fuses	3
Function logics	Automatic/Stepped automatic/ semi-automatic/Stepping semi-automatic/Condo type
Thrust force	Four levels adjustable on display
Opening/closing times	Through self-learning during programming
Pause times	Through self-learning during programming
Deceleration	Through self-learning during opening and closing
Enclosure dimensions	305x225x125 mm
Protection class	IP 55

Terminal board inputs - 22 Vac power supply/Battery power supply/Encoder/Total opening/Pedestrian opening/Opening-closing safety devices/Stop/Opening-closing limit-switch

Terminal board outputs - 24 Vdc power supply for accessories /24 Vdc motor / 24 Vdc courtesy light-flashing lamp

Rapid connector - Card receivers/Decoding cards

"Remote" emergency battery kit includes (optional)*

Voltage/current	12 V/4 Ah
Dimensions	90 x 70 x 108 mm
Nr. of opening/closing operations	15 max

Model	Use		Control board
	Max weight (kg)	Use frequency (cycles/hour)	
740 E Z16 - 24 Vdc	400	100	724 D built-in
740 Z16 - 24 Vdc	400	100	Not included

*WARNING: The emergency battery kit cannot be installed in the gear motor. In this case, put the battery kit in the container for the 724 D electronic unit to be installed at a maximum distance of 3 m from the 740 - 24 Vdc.